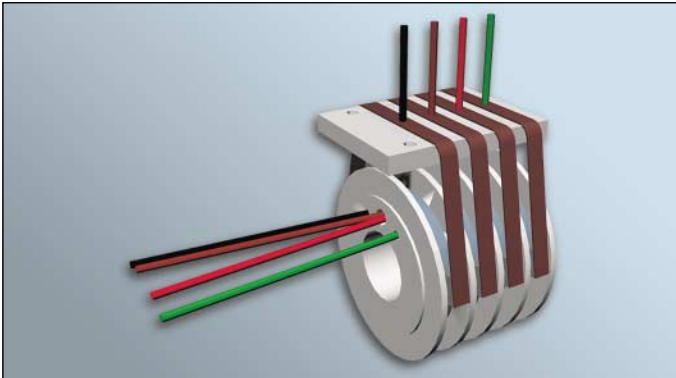
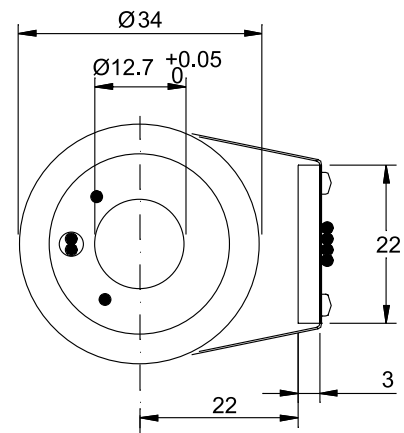
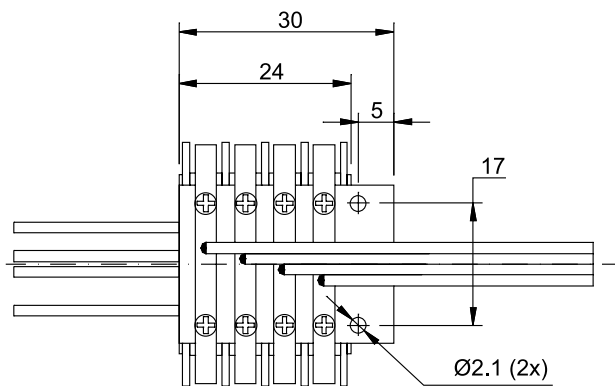


Slip Ring SM 034



- 4 rings
- 4 A per ring
- Outer diameter 34 mm
- Inner diameter max. 12,7 mm
- 240 V DC / 240 V AC
- Thermocouple optional



Electrical Data

Number of rings:	4; others on request
Current:	4 A max.
Voltage:	240 V DC / 240 V AC
High pot:	500 V AC
Isulation resistance:	1000 MOhm at 500 V DC
Contacts:	Silver carbon / silver plated brass
Option:	Thermocouple; occupies 2 rings

Mechanical Data

Speed:	250 rpm max.
Protection class:	IP 00
Temperature:	-20 °C ... +150 °C (-5 °F ... +300 °F)
Rotor connection:	150 mm leads; others on request
Stator connection:	800 mm leads; others on request

LTN Servotechnik GmbH

Order Information

Type of slip ring:

S	M	0	3	4
---	---	---	---	---

No. of rings with:

max. 4 A

--	--

Standard: 4

Length of leads in mm:

Rotor
Stator

Standard: 150 mm

Standard: 800 mm

LTN Servotechnik GmbH

Georg-Hardt-Straße 4
D-83624 Otterfing
Germany

Tel: +49-08024-6080-0

Fax: +49-08024-6080-100

E-Mail: LTN@LTN.de

Internet: www.LTN.de