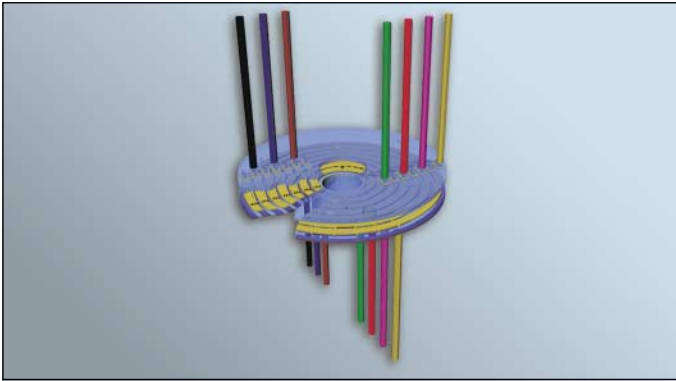
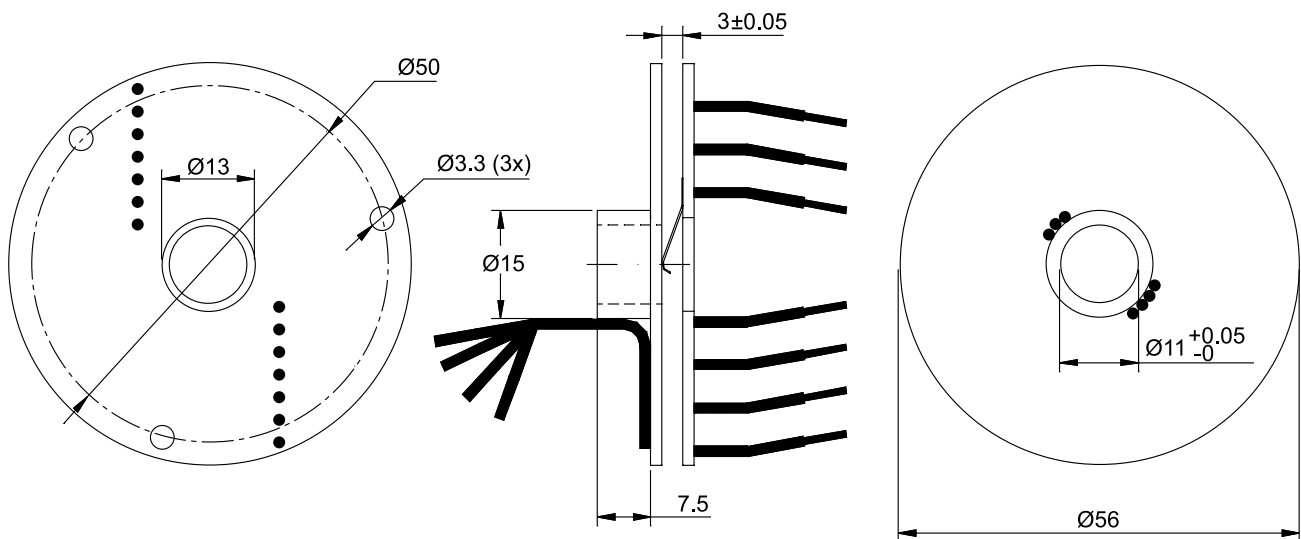


Slip Ring SD 056



- 7 rings
- 3 A per ring
- Outer diameter 56 mm
- Inner diameter max. 11 mm
- 36 V DC / 30 V AC according to DIN VDE 0700



Electrical Data

Number of rings:	7
Current:	3 A max. per ring
Voltage:	36 V DC / 30 V AC according to DIN VDE 0700; others on request
High pot:	500 V AC
Insulation resistance:	1000 MOhm at 500 V DC
Noise:	60 MOhm at 5 rpm and 6 V DC, 50 mA
Contacts:	Gold / gold

Mechanical Data

Speed:	max. 500 rpm depending on the excentricity
Protection class:	IP 00
Temperature:	-20 °C ... +80 °C (-5 °F ... +175 °F)
Rotor connection:	300 mm leads; others on request
Stator connection:	300 mm leads; others on request

LTN Servotechnik GmbH

Order Information

Type of slip ring:

S	D	0	5	6
---	---	---	---	---

Length of leads in mm: Rotor
Stator

Standard: 300 mm

Standard: 300 mm

LTN Servotechnik GmbH

Georg-Hardt-Straße 4
D-83624 Otterfing
Germany

Tel: +49-08024-6080-0

Fax: +49-08024-6080-100

E-Mail: LTN@LTN.de

Internet: www.LTN.de