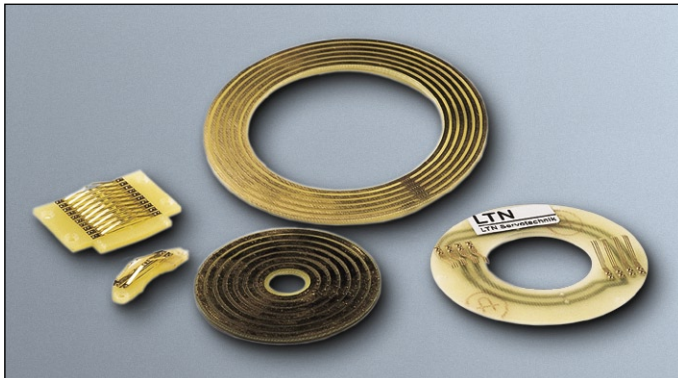
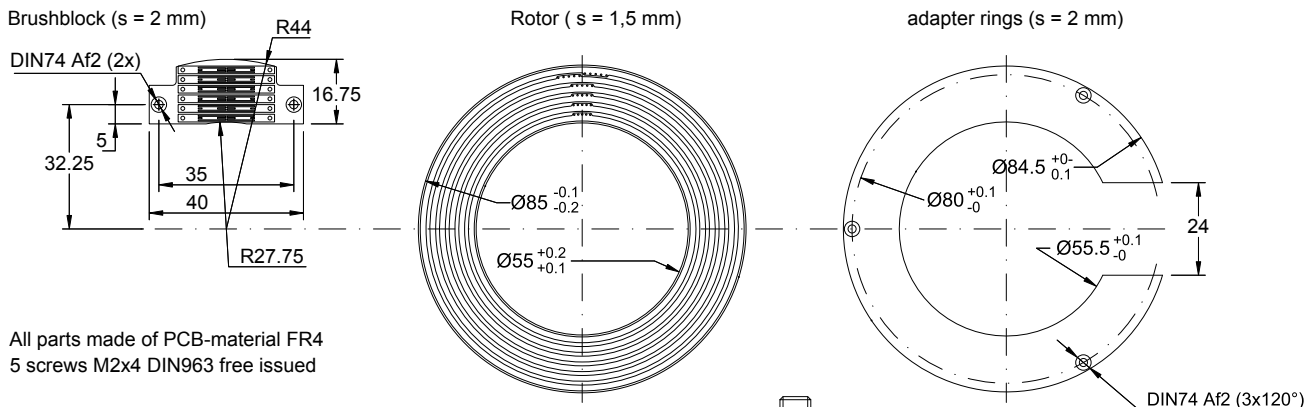


## Disk Slip Rings SD

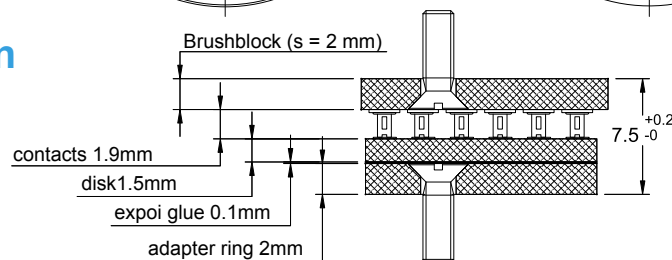


- 4 ... 24 rings; other on request
- 1 A max. per ring
- Outer diameter 50 - 286 mm
- Inner diameter 20 - 170 mm
- 60 V DC



All parts made of PCB-material FR4  
 5 screws M2x4 DIN963 free issued

### Assembly situation



### Electrical Data

Number of rings:	4 ... 24 rings; other on request
Current:	1 A per ring
Voltage:	60 V DC
High pot:	500 V AC
Insulation resistance:	1000 MΩ at 500 V DC
Noise:	max. 20 mΩ at 5 rpm and 6 V DC, 50 mA
Contacts:	Gold / gold

### Mechanical Data

Speed:	max. 100 rpm
Protection class:	IP 00
Temperature:	-20 °C ... +80 °C (-5 °F ... +175 °F)
Rotor connection:	customized (leads, cable or connectors)
Stator connection:	customized (leads, cable or connectors)